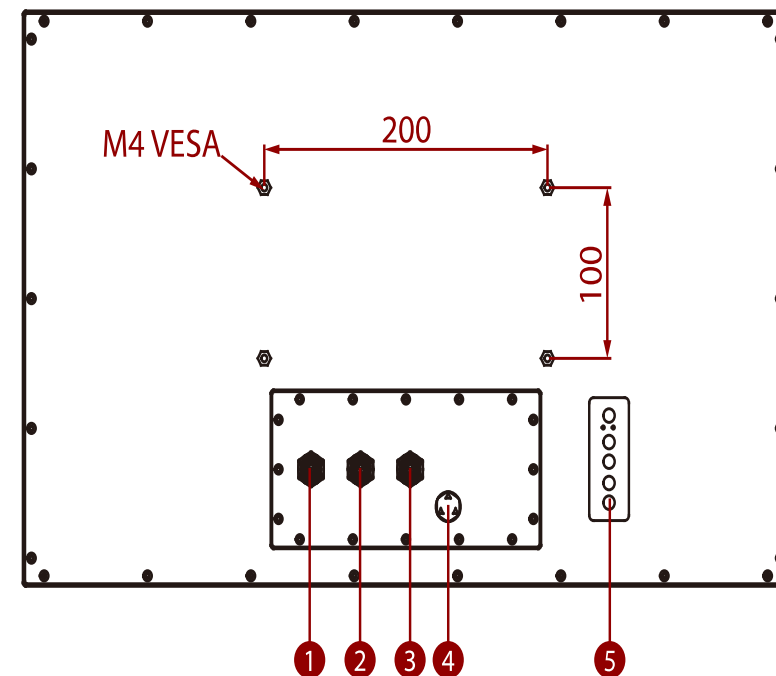
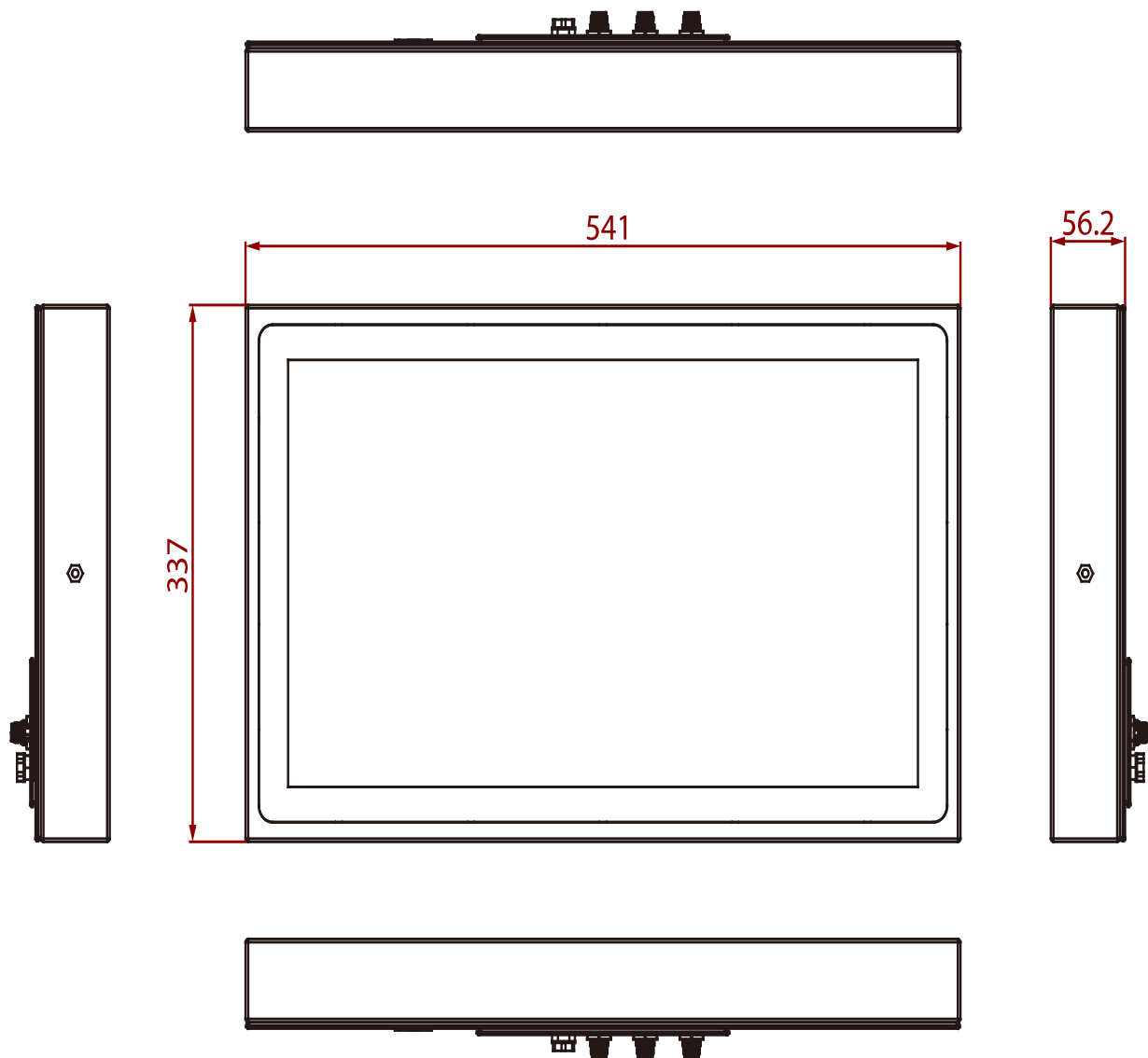


WM ES Series

WM 22W-V-69K-ES-MTU (stainless steel)

54,6 cm (21,5") 16:9 LCD



- ① Power Input
- ② VGA
- ③ USB for Touch
- ④ Air Vent Valve
- ⑤ OSD Control Panel